

IMEX Bag Filter Housing BFH



IMEX Bag Filter Housing BFH-Series 1 & 2

Single Bag Filter Housing

Bag Size:	1 and 2
Material:	SS 304, SS316, SS316L
Design Pressure:	10 / 15 bar
Design Temperature:	100°C
Surface Finish:	Pickled & Passivated Electrodized Electro Polished



Model	No. of Bags	Bag Size	Material of Construction	Connection Dimension	Connection Type	Gasket Material	Surface Internal	Surface External
BFH	1	1	4...304	15...½"	1...BSPF	1...EPDM	1...pickled/passivated	1...pickled/passivated
		2	6...316	25...1"	2...DIN	2...NBR	2...electrodized	2...electrodized
			8...316L	40...1 ½"	3...Clamp	3...Viton	3...electro-polished	3...electro-polished
					4...ANSI	4...Silicone		
					5...BSPM	5...FEP/Sil.		
			50...2"					
			65...2 ½"					
			80...3"					
			100...4"					

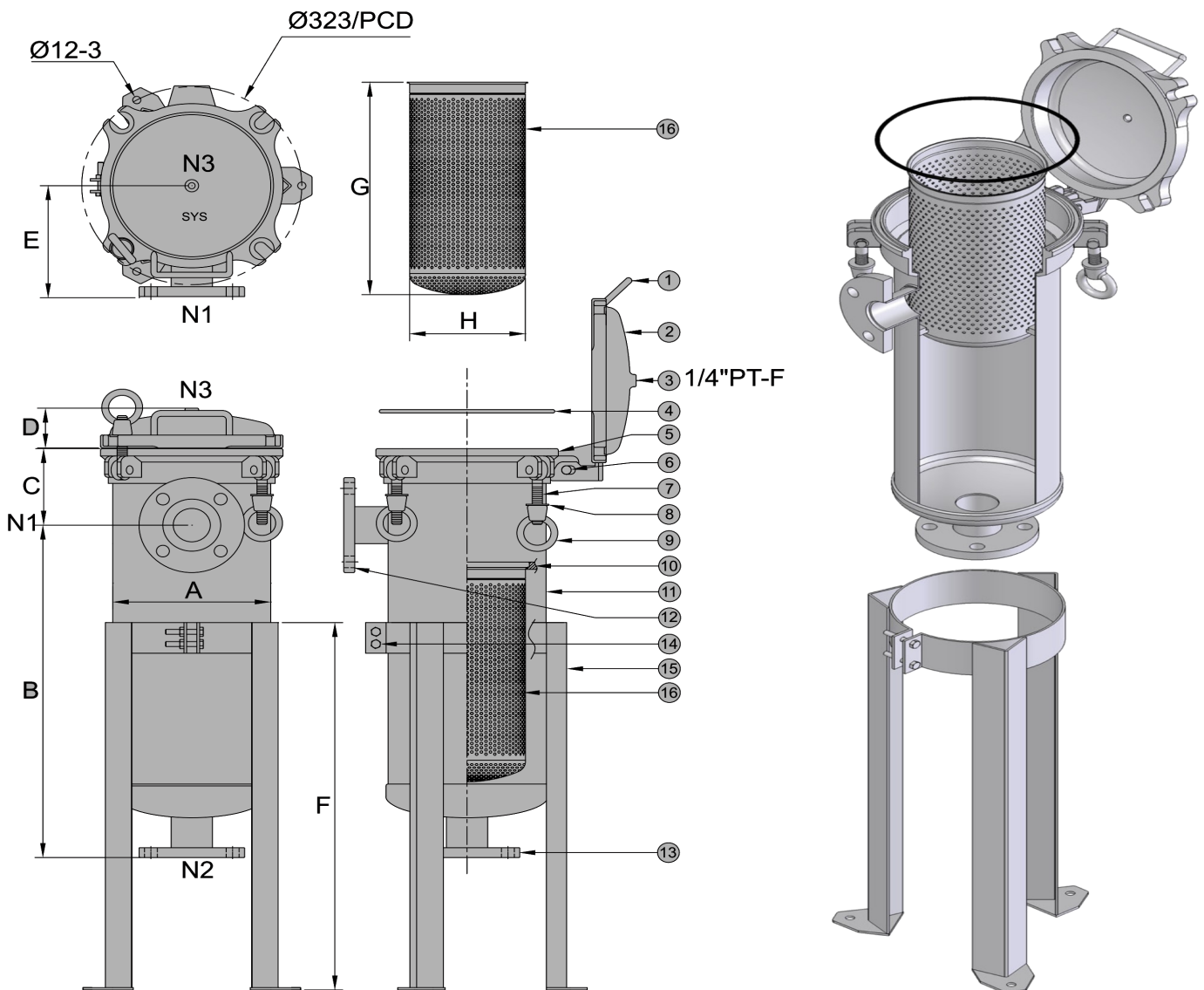
Part number example: BFH-126-505-112

Special requirements on demand.

IMEX Bag Filter Housing BFH



No.	Description	No.	Description	No.	Description
1	Handle	7	Eye bolt	13	Outlet Port
2	Top cover	8	Washer	14	Bolt
3	Vent	9	Eye nut	15	Support Leg
4	O-Ring	10	Bag Filter Holder	16	Basket
5	Shell flange	11	Shell		
6	Spindle	12	Inlet Port		



Model	Bag Size	A [mm]	B [mm]	C [mm]	D [mm]	E [mm]	F [mm]	G [mm]	H [mm]	Flow [m ³ /h]	Flow [GPM]	Weight [kg]	Volume [l]
BFH	1	Ø 232	545	125	65	176	600	350	Ø171,5	20	90	34	23
BFH	2	Ø 232	925	125	65	176	600	730	Ø171,5	45	200	43	37

Process & Hydraulic Filtration

IMEX Bag Filter Housing BFH



IMEX Bag Filter Housing BFH-Series 3 & 4

Single Bag Filter Housing

Bag Size: 3 and 4
Material: SS 304, SS316, SS316L
Design Pressure: 10 / 15 bar
Design Temperature: 100°C
Surface Finish: Pickled & Passivated
 Electrodeposited
 Electro Polished



Model	No. of Bags	Bag Size	Material of Construction	Connection Dimension	Connection Type	Gasket Material	Surface Internal	Surface External
BFH	1	3	4...304	15...1/2"	1...BSPF	1...EPDM	1...pickled/passivated	1...pickled/passivated
		4	6...316	25...1"	2...DIN	2...NBR	2...electrodeposited	2...electrodeposited
			8...316L	40...1 1/2"	3...Clamp	3...Viton	3...electro-polished	3...electro-polished
				50...2"	4...ANSI	4...Silicone		
				65...2 1/2"	5...BSPM	5...FEP/Sil.		

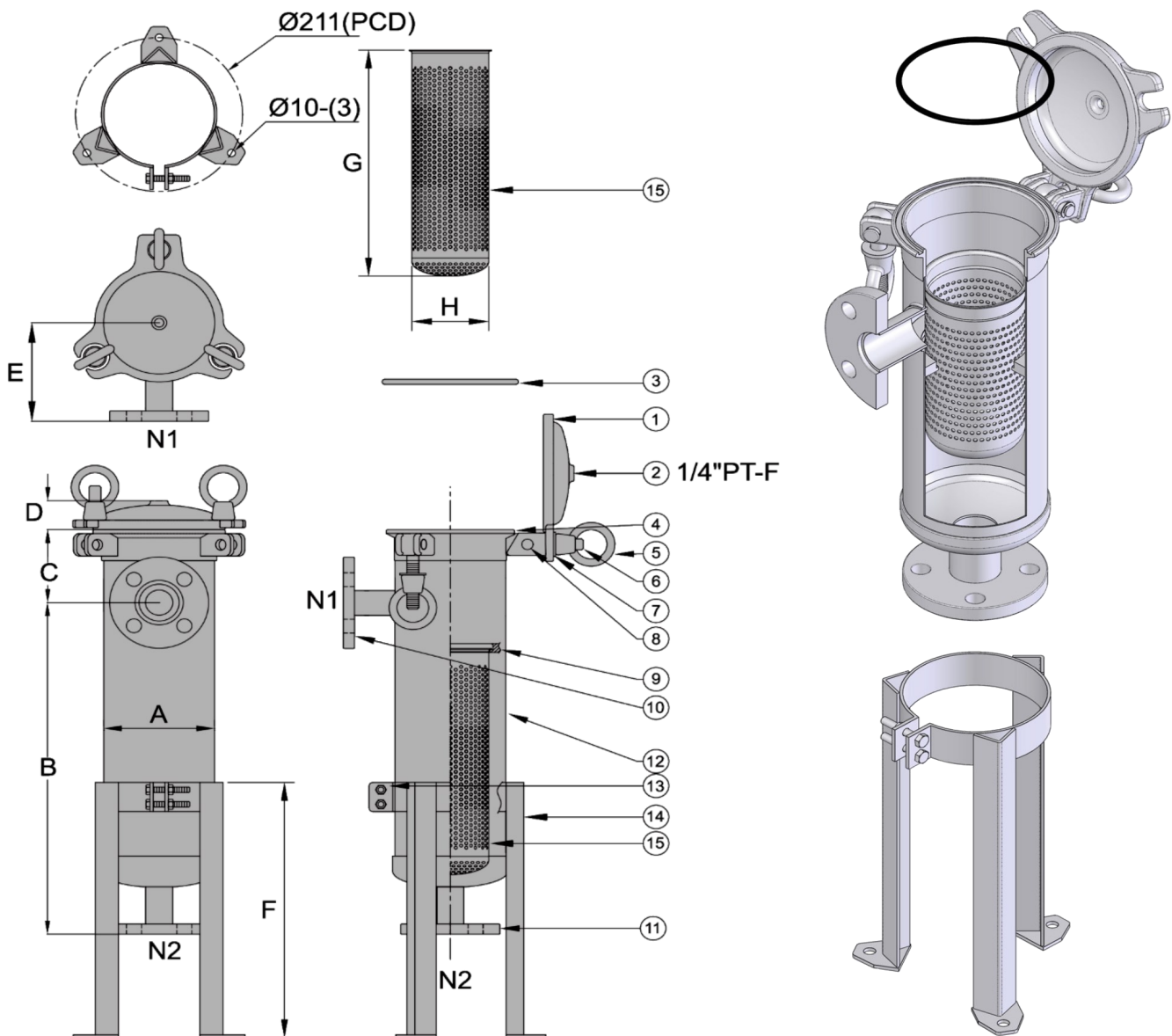
Part number example: BFH-144-252-112

Process & Hydraulic Filtration

IMEX Bag Filter Housing BFH



No.	Description	No.	Description	No.	Description
1	Top cover	6	Eye bolt	11	Outlet Port
2	Vent	7	Washer	12	Shell
3	O-Ring	8	Bolt	13	Screws
4	Shell flange	9	Bag Filter Holder	14	Support Leg
5	Eye-nut	10	Inlet Port	15	Basket



Model	Bag Size	A [mm]	B [mm]	C [mm]	D [mm]	E [mm]	F [mm]	G [mm]	H [mm]	Flow [m ³ /h]	Flow [GPM]	Weight [kg]	Volume [l]
BFH	3	Ø 140	350	100	40	135	350	200	Ø 97	5	20	18	6,3
BFH	4	Ø 140	450	100	40	135	350	310	Ø 97	9	45	21	7,8

IMEX Bag Filter Housing BFH



IMEX Bag Filter Housing Accessories

Bag Filter Basket



Bag Basket	Bag Size	Material
BB	1	4...304
	2	6...316
	3	8...316L
	4	

Suitable for Housings: BFH, BFL, BFT, BFM

Bag Filter Press Device



Bag Basket	Bag Size	Material
BPD	1	4...304
	2	6...316
	3	8...316L
	4	

Suitable for Housings: BFH, BFL

Bag Filter Float Ball



Bag Basket	Bag Size	Material
BFF	1	4...304
	2	6...316
	3	8...316L
	4	

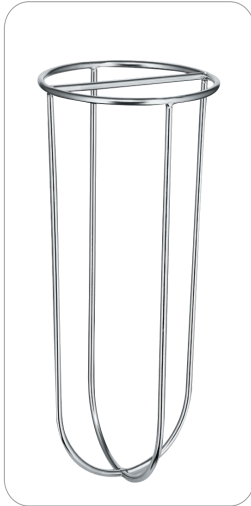
Suitable for Housings: BFH, BFL, BFT, BFM

IMEX Bag Filter Housing BFH



IMEX Bag Filter Housing Accessories

Bag Filter Bracket



Bag Basket	Bag Size	Material
BBR	1	4...304
	2	6...316
	3	8...316L
	4	

Suitable for Housings: BFH, BFL, BFT, BFM

Bag Filter Magnet



The magnet is effective removal of dirt and magnetic particles from the fluid reduces the number of system failures and significantly extends the life span of measuring instruments, heat exchangers, pumps, valves and other components. This effectiveness is achieved with 11000 gauss magnet.

Magnet	# of Magnets	Bag Size	Material
BFM-ML	1	1	4...304
	2	2	6...316
	3	3	8...316L
	4		



Magnet	# of Magnets	Bag Size	Material
BFM-MR	1	1	4...304
	2	2	6...316
	3	3	8...316L
	4	4	

IMEX Bag Filter Housing Accessories

Bag Filter O-Rings



Filter Housing	No. Of Bags	Bag size	Gasket- Material
BFH	1-12	1	1...NBR
BFL		2	2...Viton
BFT		3	3...EPDM
BFM		4	4...PTFE
			5...PTFE encaps. Silicone